
InfraXact™ Lab Spare Parts Manual

1001 0717 / Rev. 7



Information may be changed or updated without notice. The latest version is found at www.foss.dk.

NOTE: Please note that all information is liable to change without prior notice.

Please inform Customer Support - Technical Communication Team at the address given below, if you have any opinions about or proposals for changes to this manual.

Customer Support - Technical Communication Team

e-mail tig@foss.dk

FOSS Analytical AB, Box 70, SE-263 21 Höganäs, Sweden

Tel Int +46 42 361500, Fax +46 42 340349

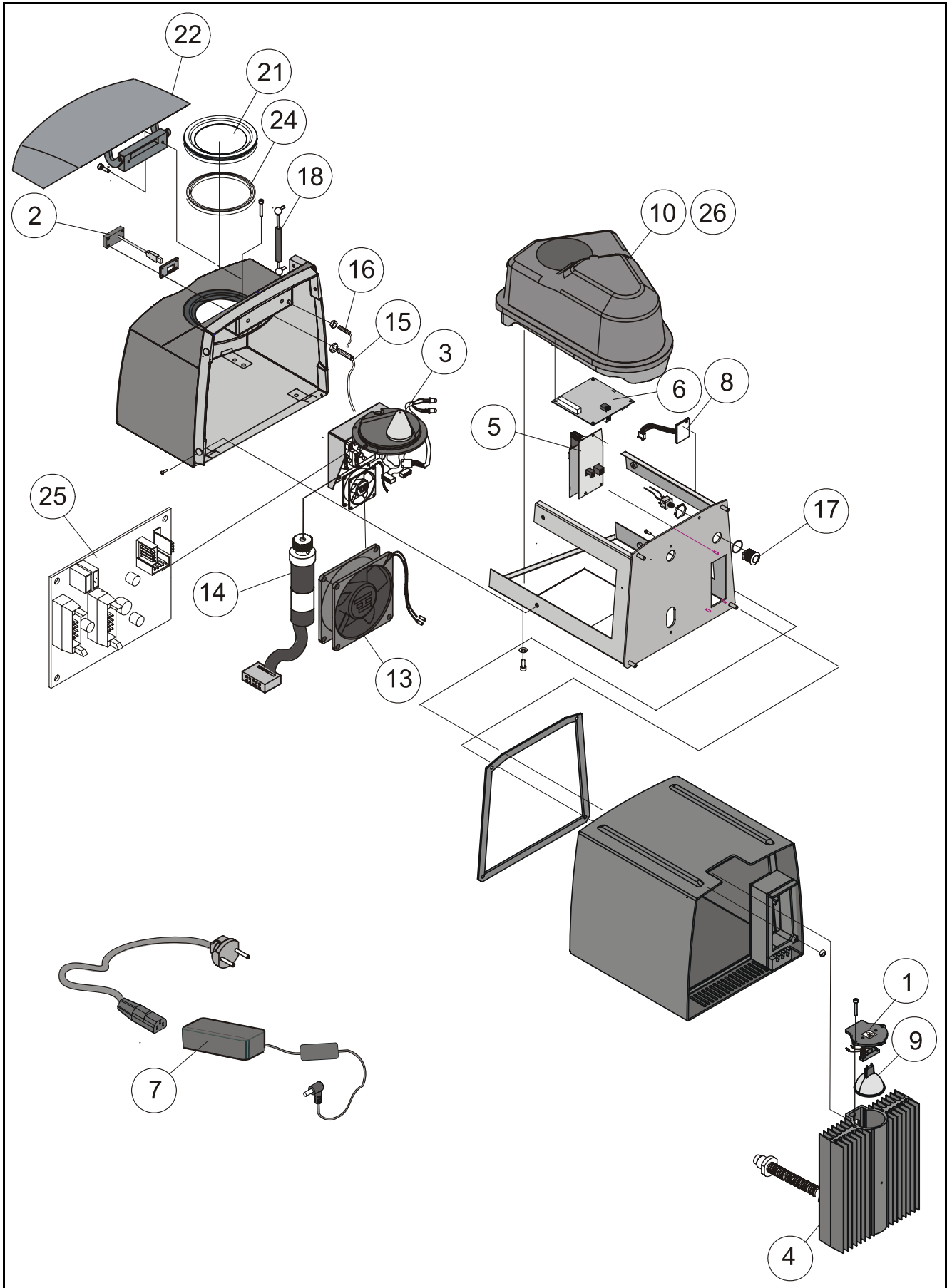
 **Warning**

Please read Safety Precautions in the Service Manual prior to maintenance or exchange of spare parts.

The system may only be repaired by FOSS personnel or by other personnel approved by FOSS.

Spare Parts			
Pos.	Part No.	Description	Note
1	1001 3351	Lamp Holder	
2	1001 2458	RFID Sensor including Gasket	
3	1001 2457	Sample Presentation Unit	
4	1001 2459	Lamp House with Fibre	
5	1001 2463	Instrument Supply Board	
6	1001 2460	DSP Board including Cable	
7	1001 2054	Power Supply	
8	1001 2958	Instrument ID Board	
9	1000 8310	Lamp	
10	1001 2461	Spectrometer including DSP Board	
11	1001 2961	InfraXact Service Standard Kit	See page 4 for contents
13	1001 2959	Fan	
14	1001 2960	Cup Motor	
15	1001 2962	Cup Position Sensor	
16	1001 2963	Lid Position Sensor	
17	1001 2964	Power Switch	
18	1001 2965	Pneumatic Damper	
19	1001 2966	Service Kit Cables	See page 4 for contents
20	1001 2967	Service Kit Gaskets	See page 4 for contents
21	1001 4953	InfraXact Instrument Glass Repair Kit	
22	6002 3677	Lid Complete	
23	6002 3539	InfraXact Aperture Kit *)	Aperture sizes 7.5/7.0/6.5/6.0/5.5/5.0
24	6003 5346	SPU Bearing	
25	6003 5347	SPU PCB	
Exchange Parts			
26	1811 2461	Exchange Spectrometer including DSP Board	

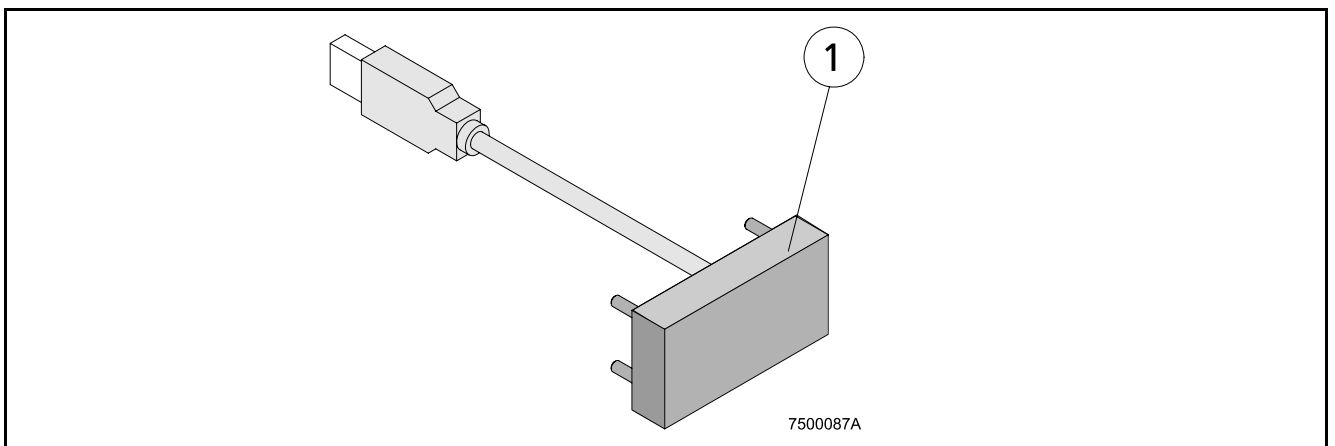
*) Not illustrated.



Item	Description	Note
InfraXact Service Standard Kit (part no. 1001 2961) *)		
1	ERC Standard	
2	CD InfraXact Service Manual	
3	CD InfraXact Service Application	
4	Diskette ERC Difference Spectra	
Service Kit Cables (part no. 1001 2966) *)		
1	USB/Power Cable 1	
2	I2C/Power Cable	
3	LED Cable	
4	USB/Power Cable 2	
5	USB Cable	
Service Kit Gaskets (part no. 1001 2967) *)		
1	Rear Gasket for Cover	
2	Gasket for Cable Cover	
3	Gasket for RFID	
4	Front Gasket for Cover	
5	Bumper for Lid	

*) Not illustrated.

Sample Station			
Pos.	Part No.	Description	Note
1	1001 4136	Sample Station RFID	



Sample Cups			
Pos.	Part No.	Description	Note
	1001 5156	Large cup	
	1001 5157	Large cup, 5/set	
	1001 5158	Small cup	
	1001 5159	Small cup, 10/set	
	1001 5160	Slurry cup	
	1001 5161	Slurry cup, 5/set	

