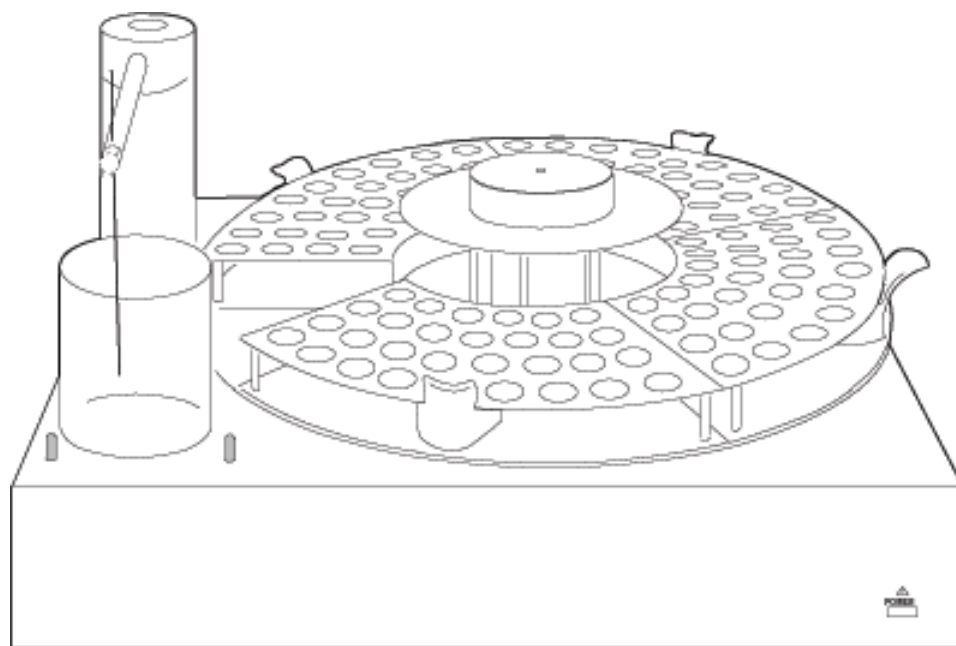


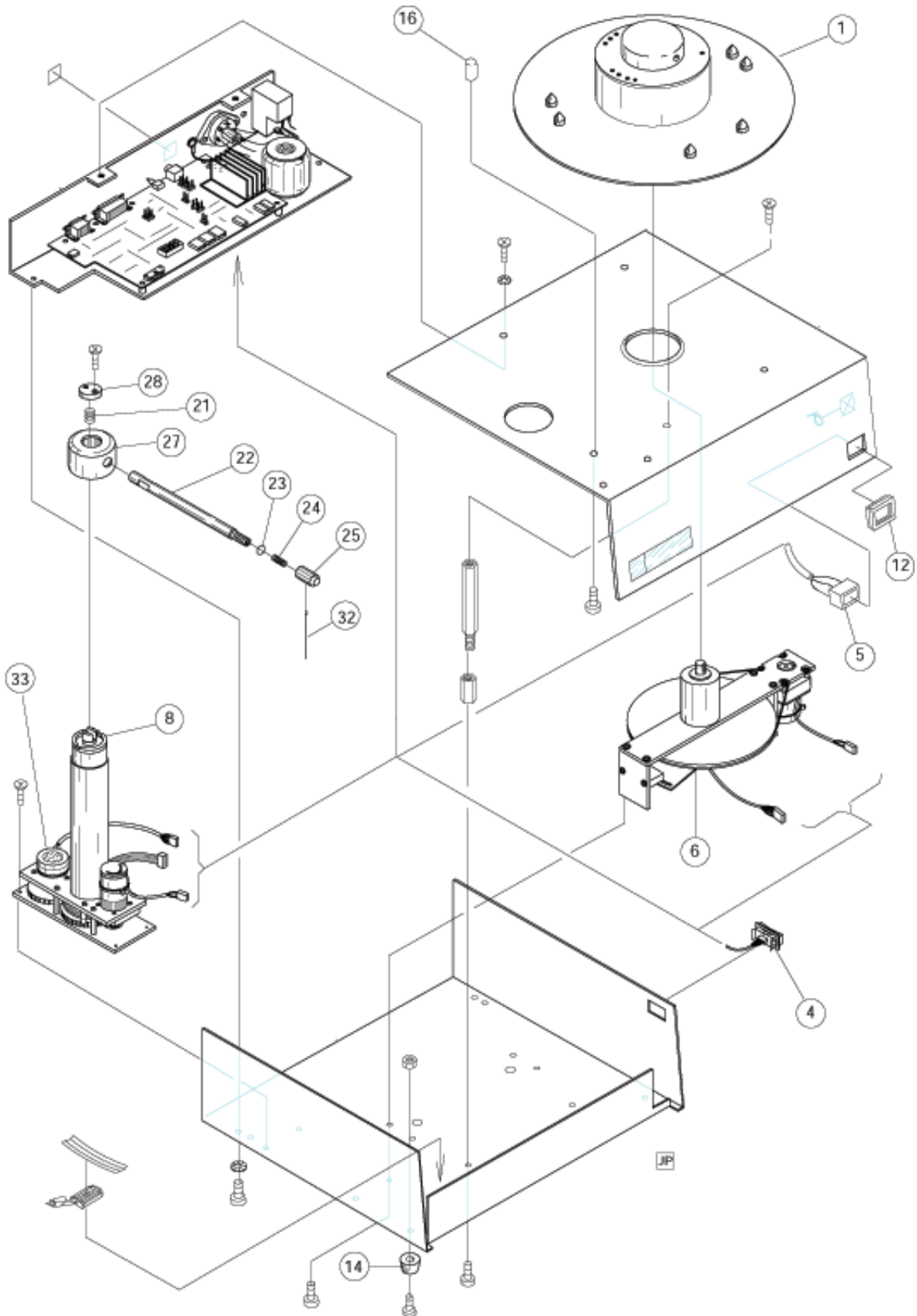
## 5027 Sampler Unit Parts List

1000 4875 / Rev. 1.1



Designation: Sampler
Drawing: 5000 3610
Effective from serial no: 1001 to serial no:

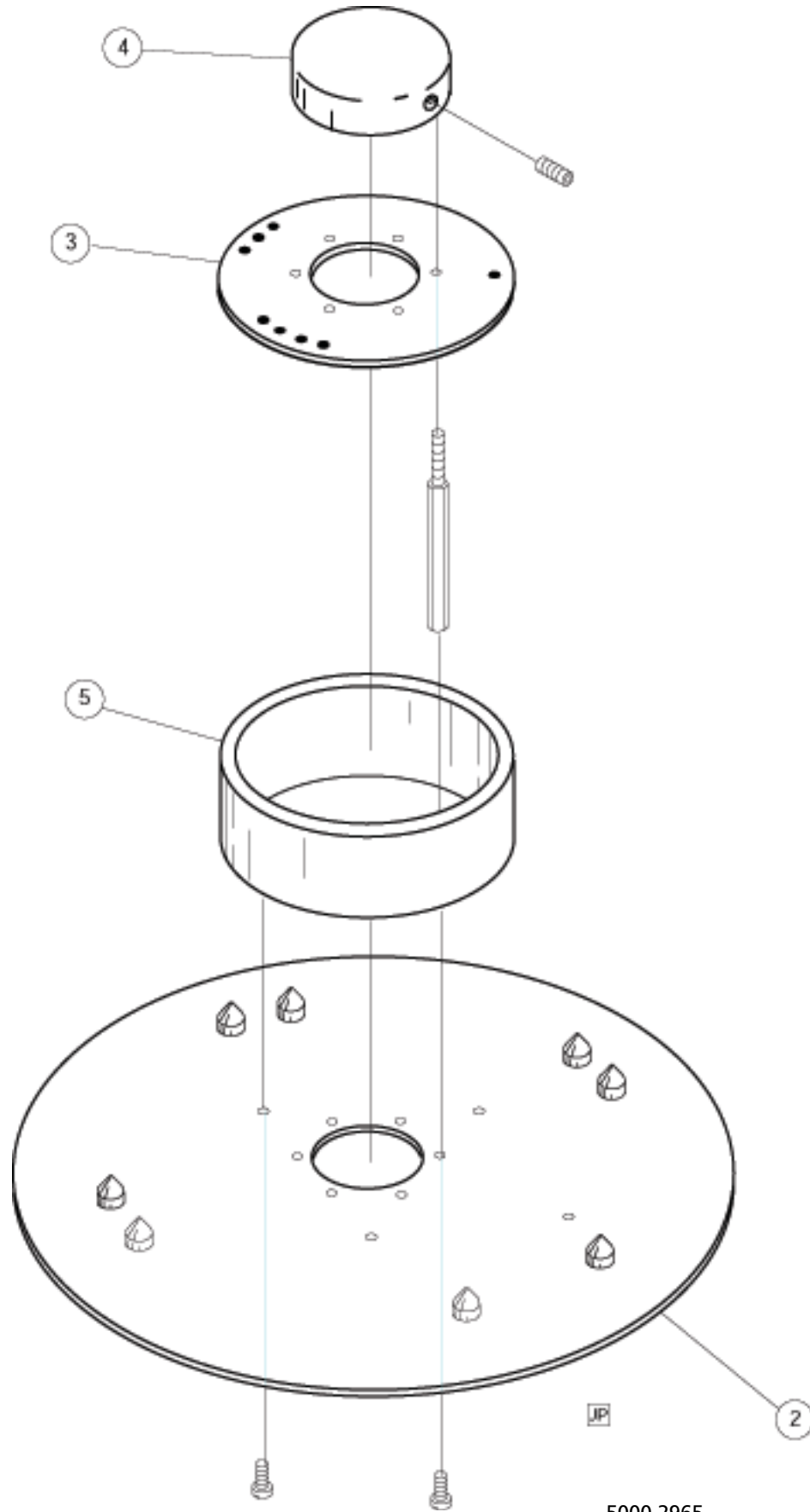
<b>Pos</b>	<b>Part number</b>	<b>Designation</b>	<b>Remarks</b>
1	5000 2965	Turntable cpl.	see page 3
4	5000 2982	Switch assembly	
5	5000 2987	LED assembly	
6	5000 2988	Rotor unit cpl.	see page 7
8	5000 3600	Probe column assembly	
12	5559 0036	LED frame	
14	5544 0001	Support	
16	5544 0033	Support	
21	5541 0009	Spring	
22	5000 3607 1001 0185	Probe arm - 1 pipette Probe arm - 2/3 pipettes	
23	5545 0009	Ball	
24	5541 0010	Spring	
25	5000 3608	Probe arm knob	
27	5000 3606	Probe cap	
28	5000 3598	Spring support	
32	500 3651 1001 0182 1001 0184 1001 3755	Sample probe, 1 channel Sample probe, 2 channels Sample probe, 3 channels Sample probe with filter	
33	5567 0128	Encoder (potentiometer)	



5000 3610

Designation: Turntable cpl.	
Drawing: 5000 2965	
Effective from serial no: 1001	to serial no:

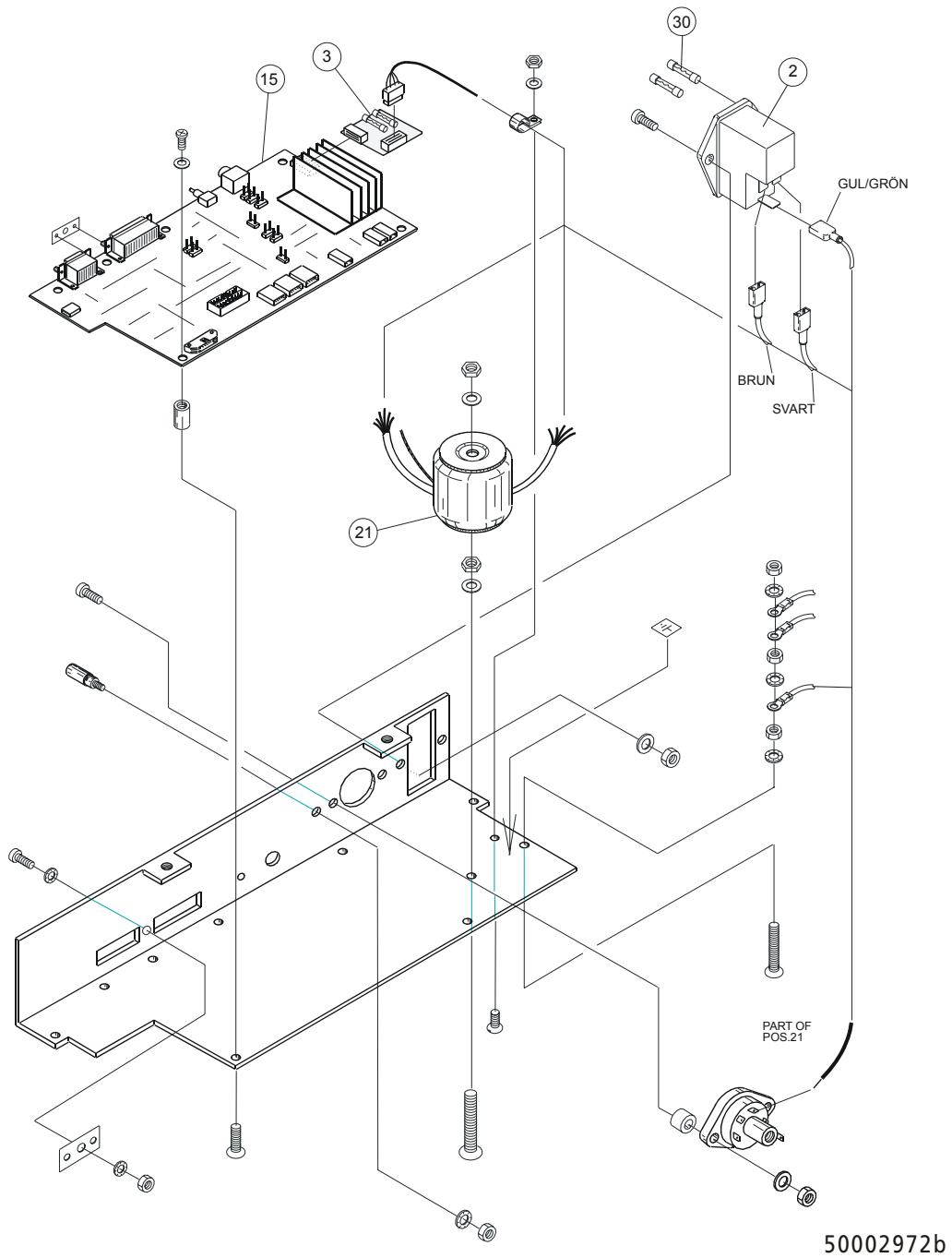
<b>Pos</b>	<b>Part number</b>	<b>Designation</b>	<b>Remarks</b>
2	5000 2960	Turntable	
3	5000 2966	Coding plate	
4	5000 2958	Cap	
5	5000 2967	Spacer	



5000 2965

Designation: Rear panel cpl.
Drawing:
Effective from serial no: 1001 to serial no:

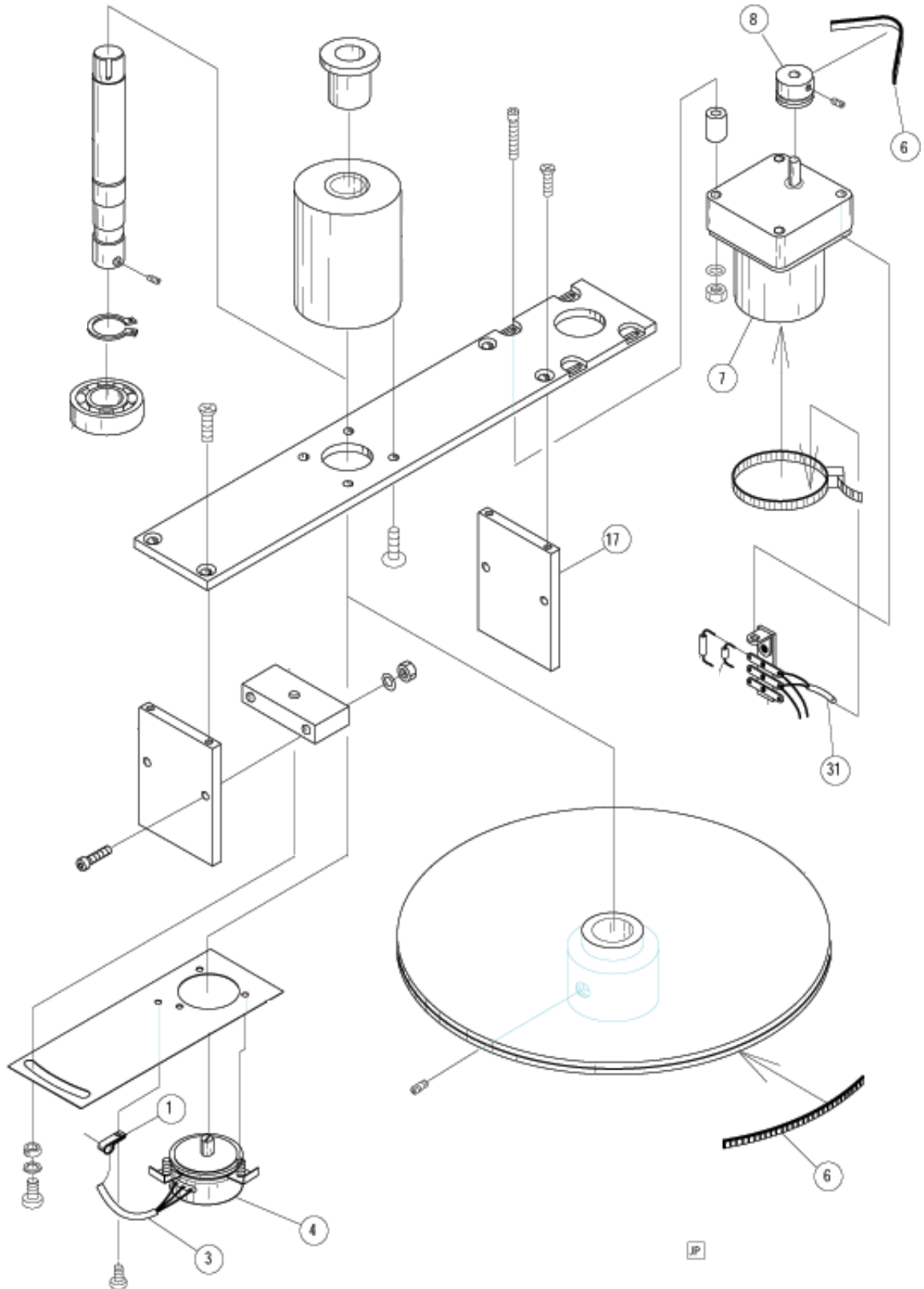
<b>Pos</b>	<b>Part number</b>	<b>Designation</b>	<b>Remarks</b>
2	5563 0073	Power socket	
3	1000 8809	Fuse board	
15	1000 7137	Main circuit board	
21	5000 2974	Transformer w mains voltage selection	
30	5564 0035	Fuse 0.315 A	Mains voltage 200-230 V
30	5564 0010	Fuse 0.5 A	Mains voltage 100-130 V



50002972b

Designation: Rotor unit cpl.	
Drawing: 5000 2988	
Effective from serial no: 1001	to serial no:

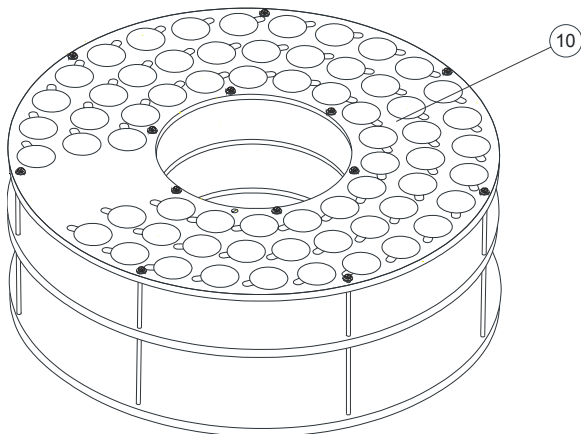
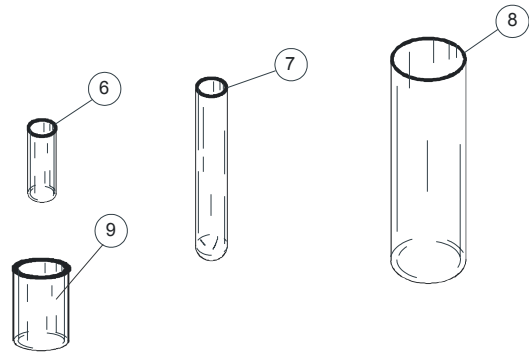
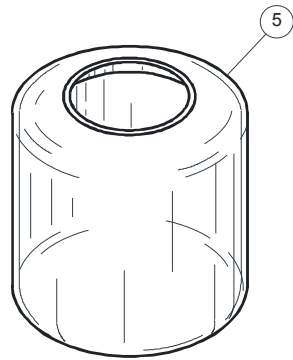
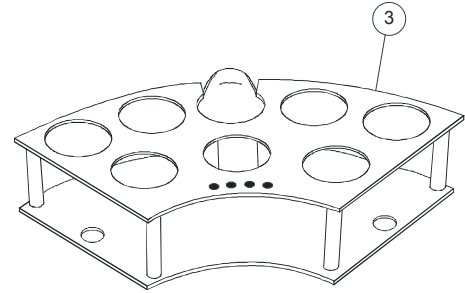
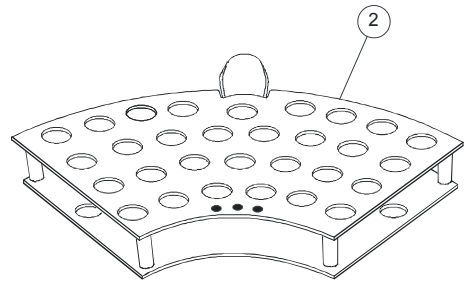
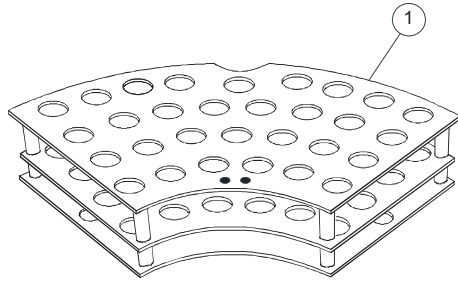
<b>Pos</b>	<b>Part number</b>	<b>Designation</b>	<b>Remarks</b>
3	5000 2983	Cable	
4	5567 0128	Encoder (potentiometer)	
6	5549 0015	Drive belt	
7	5571 0022	Motor	
8	5000 2969	Drive pulley	
31	5000 2985	Cable	



5000 2988

Designation: Accessories
Drawing: 5027017a
Effective from serial no: 1001 to serial no:

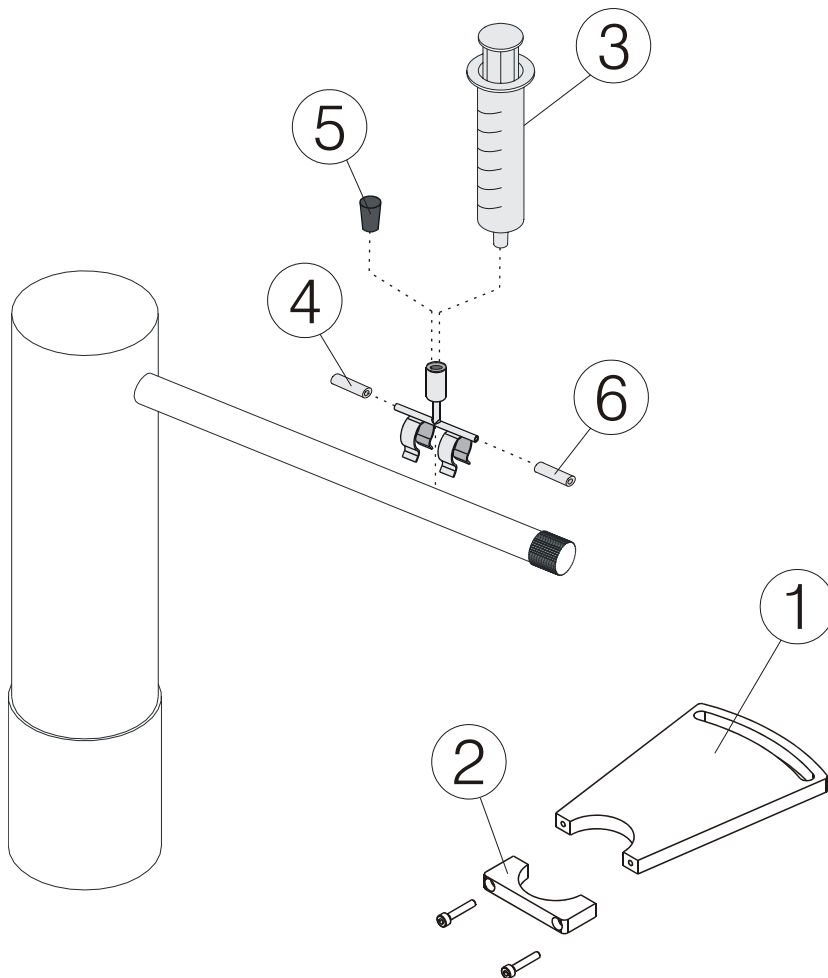
<b>Pos</b>	<b>Part number</b>	<b>Designation</b>	<b>Remarks</b>
1	5000 3715	Sample rack no.1	12 ml
1	5000 3716	Sample rack no. 2	12 ml
1	5000 3717	Sample rack no. 3	12 ml
1	5000 3718	Sample rack no. 4	12 ml
2	5000 3573	Sample rack no.1	4 ml
2	5000 3574	Sample rack no. 2	4 ml
2	5000 3575	Sample rack no. 3	4 ml
2	5000 3576	Sample rack no. 4	4 ml
3	5000 2996	Sample rack no. 1	100 ml
3	5000 2997	Sample rack no. 2	100 ml
3	5000 2998	Sample rack no. 3	100 ml
3	5000 2999	Sample rack no. 4	100 ml
5	5000 2779	Wash bottle	
6	5000 3725	Sample cups, 4 ml	set of 1000
7	5000 3724	Sample cups, 12 ml	set of 2000
8	5000 1822	Sample cups, 100 ml	set of 400
9	D0399436	Sample cups, 30 ml with cap	Set of 750
10	1000 9186	Rack cpl with 64 cups	



5027017b

Designation: Sample probe back flush cpl 1001 3709
Drawing: 5000052a
Effective from serial no: 1001 to serial no:

Pos	Part number	Designation	Remarks
1	10013597	Retainer plate	
2	10013598	Clamp	
3	15210091	Backflush syringe	1
4	55820062	Silicon tubing	0.10 m
5	15610433	Stopper	2
6	55820062	Silicon tubing	0.10 m



10013709b