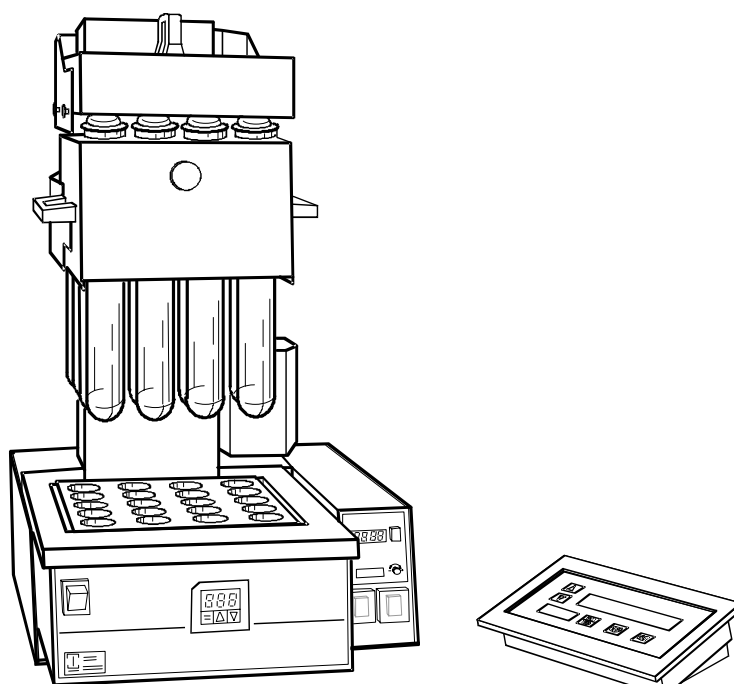


---

# 2015 Lift Parts List

1000 6206 / Rev. 1.3

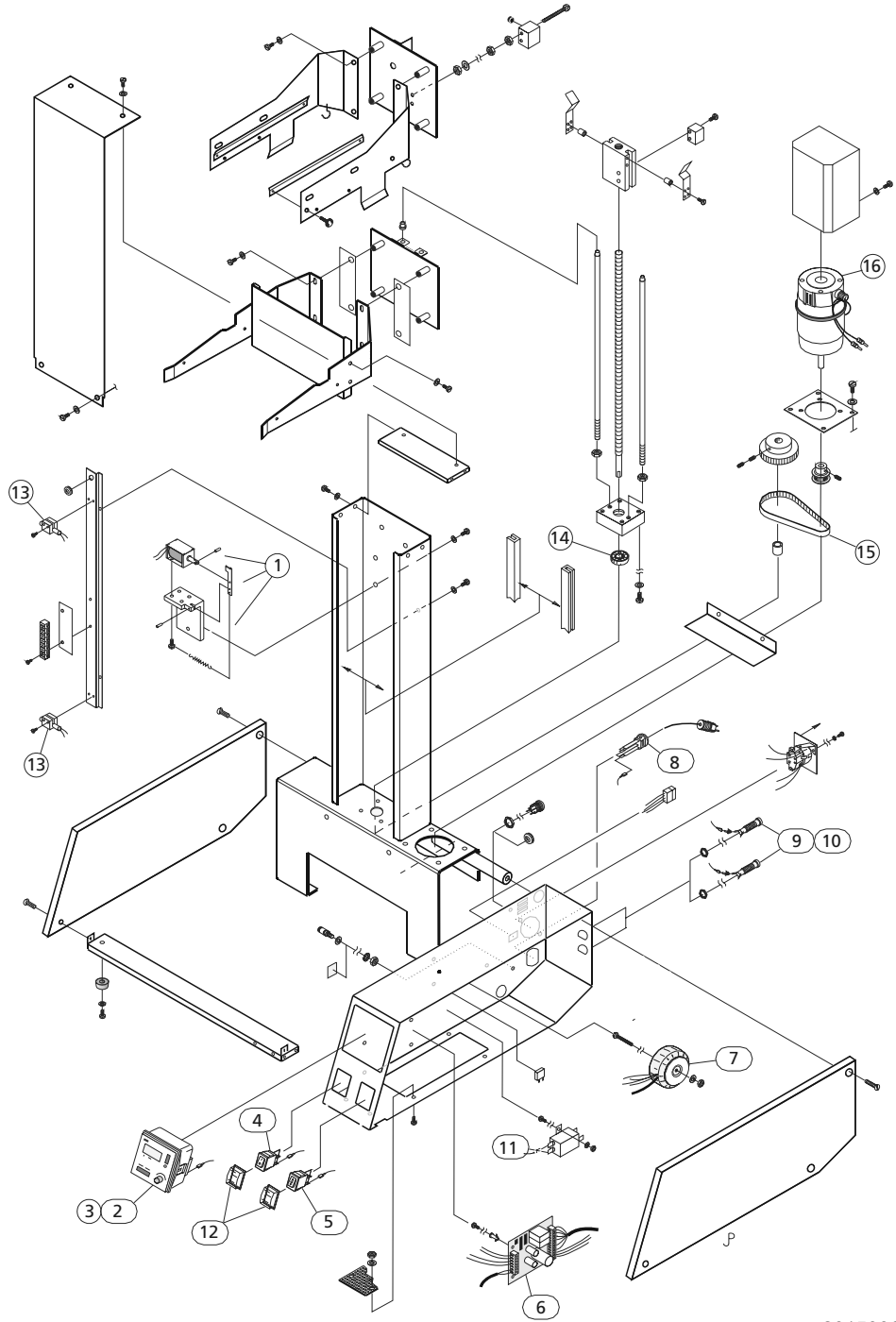


BLOC028a

**Note: Screws, nuts and washers are shown but not designated in this part list!**

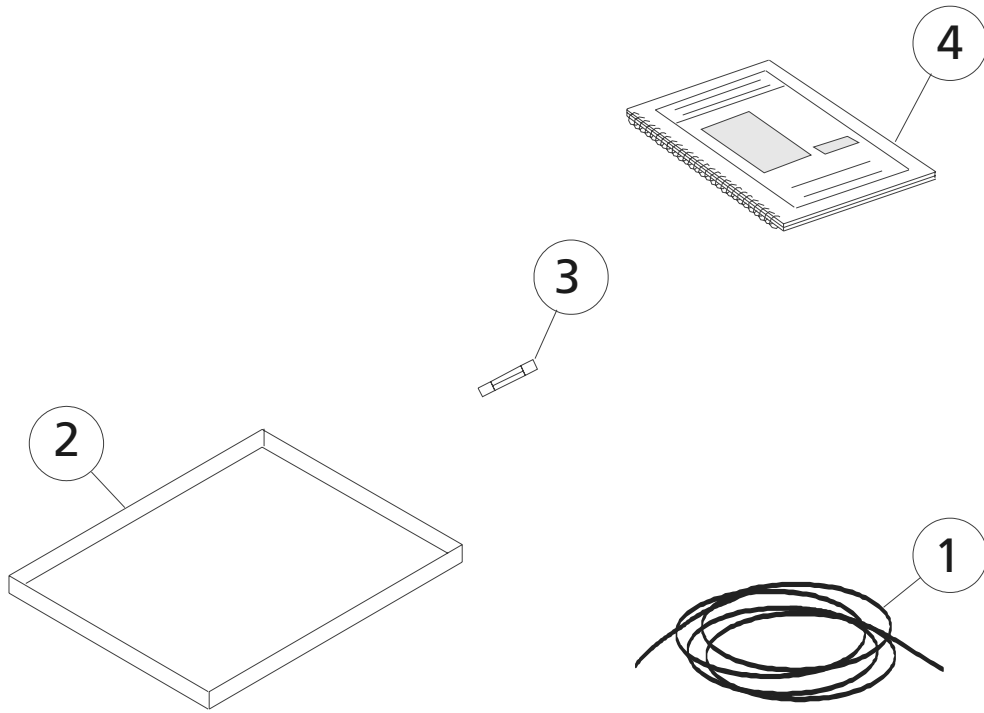
Designation: Lift 200-240 V 50/60 Hz
Drawing: 2015 006e
Effective from serial no: _____ to serial no: _____

<b>Pos</b>	<b>Part number</b>	<b>Designation</b>	<b>Remarks</b>
1	1000 5040	Magnet assembly	
2	1000 5447	Timer assembly 50 Hz	
3	1000 5448	Timer assembly 60 Hz	
4	1563 0141	Mains switch 250 V 16 A	
5	1563 0142	Mains switch 220 V 16 A	
6	1000 7111	Relay card	
7	1568 0021	Transformer	
8	1561 0125	Cable inlet	
9	1564 0091	Fuse holder	
10	1564 0049	Fuse 1.6 AT	
11	1568 0002	Mains filter	
12	1563 0146	Protecting cover for switch	
13	1563 0117	Sensor (reed switch)	
14	1545 0042	Ball bearing	
15	1545 0050	Driving belt	
16	1571 0026	Motor	



Designation: Accessories Lift, part no. 10015142
Drawing: 2015013c
Effective from serial no: _____ to serial no: _____

<b>Pos</b>	<b>Part number</b>	<b>Designation</b>	<b>Remarks</b>
1	1569 0090	Flexible cable channel	
2	1000 5934	Drip pan	
3	1564 0049	Fuse 1.6 AT	
4	1000 5548	Manual 1015/2015	



2015013c

This page is intentionally not used.