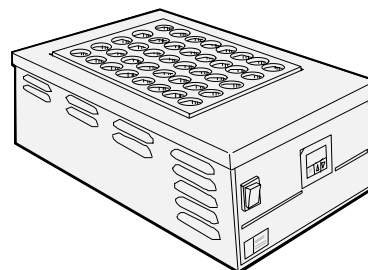
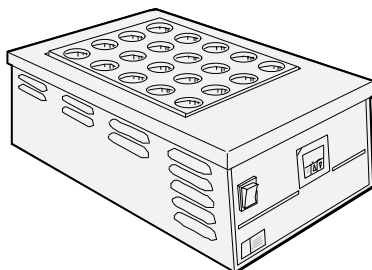
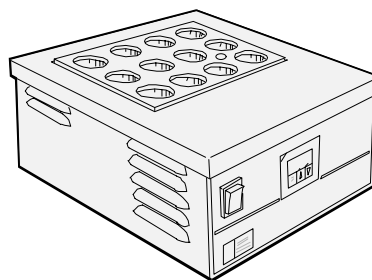
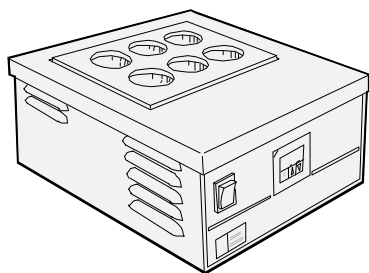

2000 Digestion System: DS 6-12, 20-40

Parts List

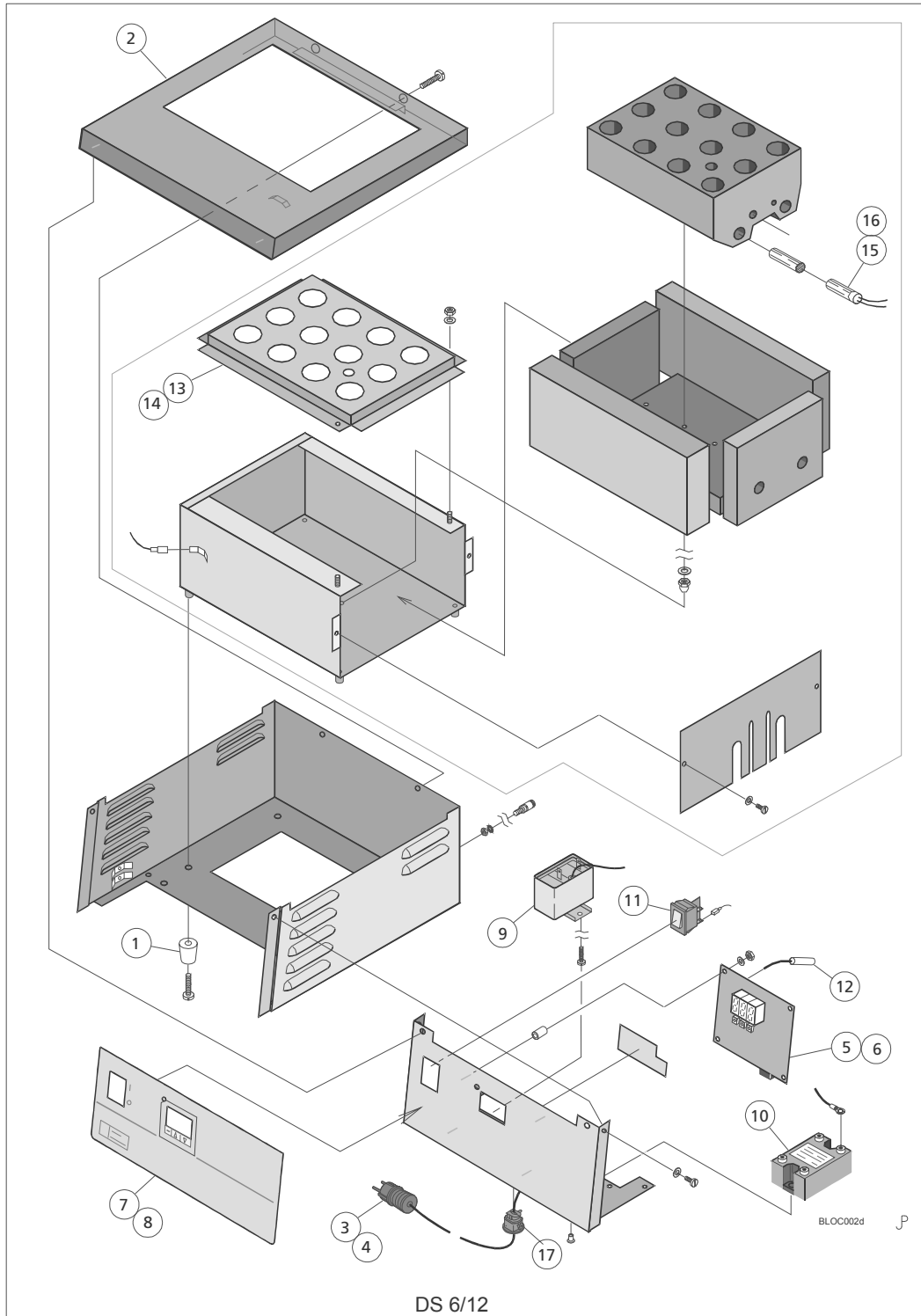
1000 5889 / Rev. 1.4



Note: Screws, nuts and washers are shown but not designated in this part list!

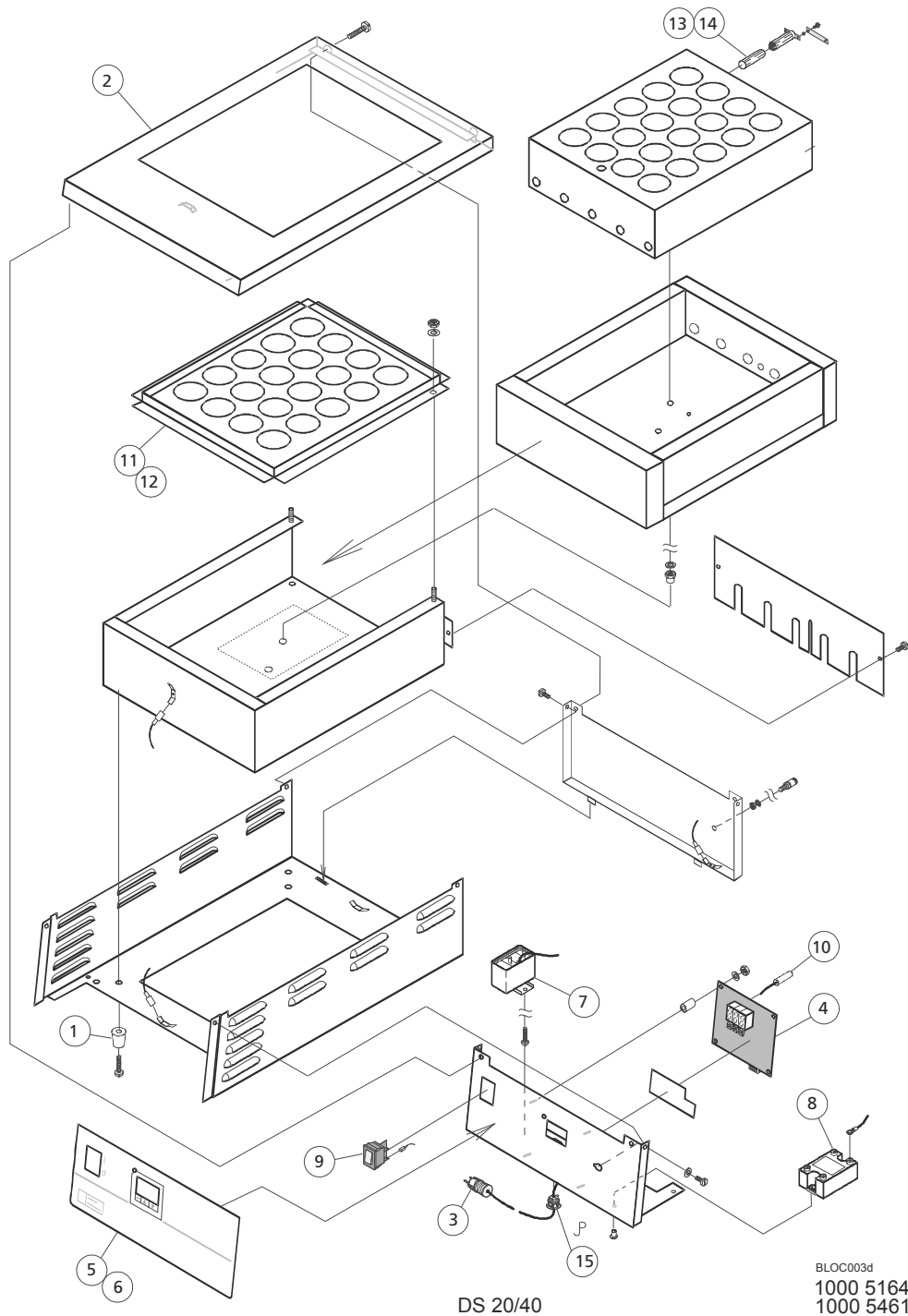
Designation: Digestor unit 6, 12 cpl.
General Drawing: BLOC002d
Effective from serial no: _____ to serial no: _____

Pos	Part number	Designation	Remarks
1	1547 0083	Foot	
2	1000 5331	Frame	
3	1561 0123	Cable stand	230 V
4	1565 0029	Cable stand	115 V
5	1000 7114	Temperature control PCB	230 V
6	1000 7116	Temperature control PCB	115 V
7	1000 5499	Panel foil	DS-12
8	1000 5515	Panel foil	DS-6
9	1579 0028	Overheat protector	
10	1562 0022	Solid state relay	
11	1563 0001	Switch green 230V/115V	
12	1563 0148	Temperature sensor	
13	1000 5334	Guide plate	DS-6
14	1000 5473	Guide plate	DS-12
15	1000 5621	Rod heater, 500W	230 V
16	1000 5623	Rod heater, 500W	115 V
17	1561 0649	Cable relief with fuse holder	



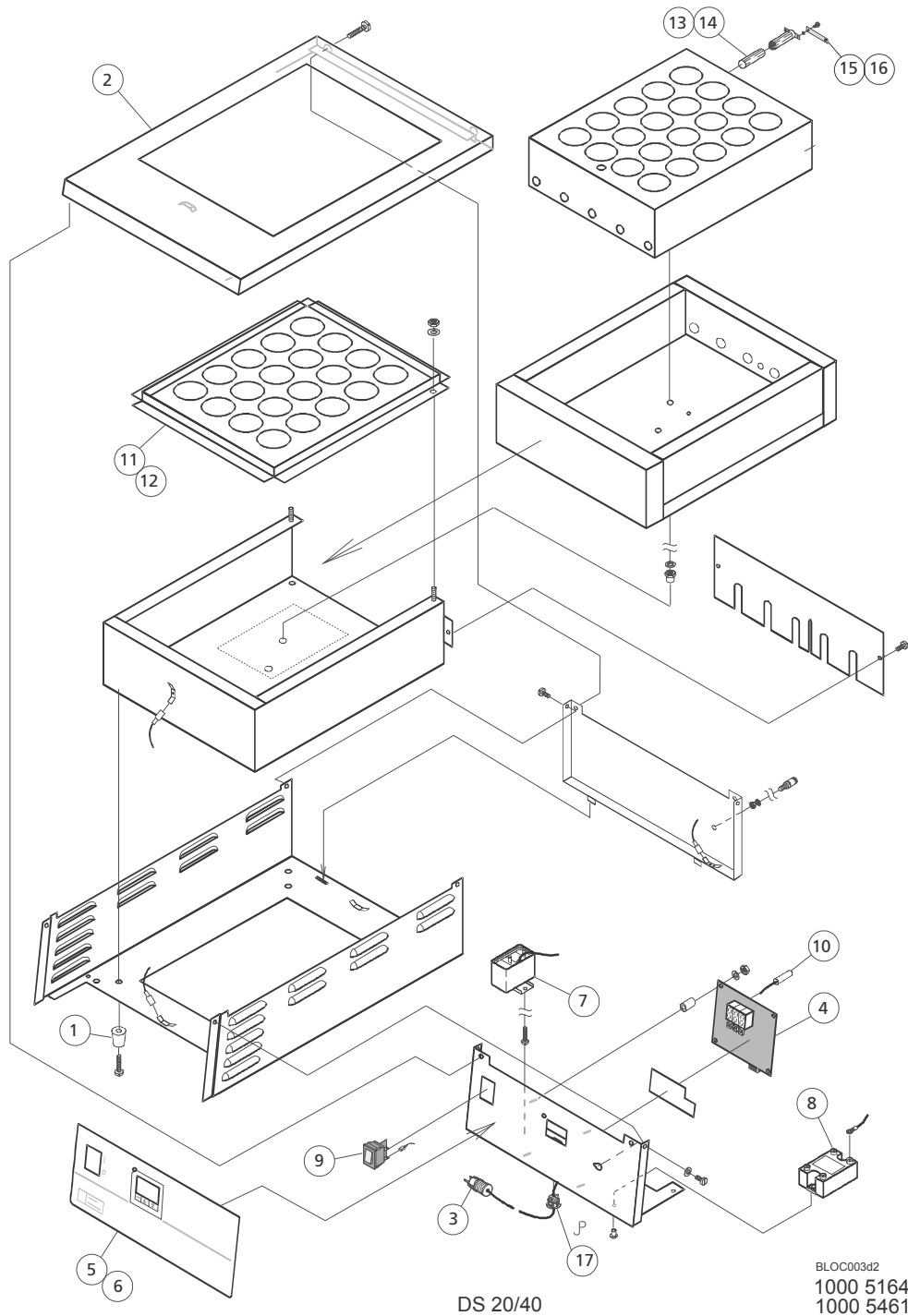
Designation: Digester unit 20, 40 cpl.
General Drawing: BLOC003d
Effective from serial no: 16297, 100 to serial no: 16603, 157

Pos	Part number	Designation	Remarks
1	1547 0083	Foot	
2	1000 5244	Frame	
3	1561 0123	Cable stand	
4	1000 7114	Temperature control PCB	
5	1000 5513	Panel foil	DS-20
6	1000 5514	Panel foil	DS-40
7	1579 0028	Overheat protector	
8	1562 0022	Solid state relay	
9	1563 0001	Switch green 230 V/115 V	
10	1563 0148	Temperature sensor	
11	1000 5146	Guide plate	DS-20
12	1000 5465	Guide plate	DS-40
13	1000 5624	Rod heater, 52 V, 500 W	
14	1000 5625	Rod heater, 42 V, 400 W	
15	1561 0649	Cable relief with fuse holder	



Designation: Digestor unit 20, 40 cpl.	
General Drawing: BLOC003d2	
Effective from serial no: 16604, 158	to serial no:

Pos	Part number	Designation	Remarks
1	1547 0083	Foot	
2	1000 5244	Frame	
3	1561 0123	Cable stand	
4	1000 7114	Temperature control PCB	
5	1000 5513	Panel foil	DS-20
6	1000 5514	Panel foil	DS-40
7	1579 0029	Overheat protector	
8	1562 0022	Solid state relay	
9	1563 0001	Switch green 230 V/115 V	
10	1563 0148	Temperature sensor	
11	1000 5146	Guide plate	DS-20
12	1000 5465	Guide plate	DS-40
13	1000 6071	Rod heater, 52 V, 500 W	
14	1000 6072	Rod heater, 42 V, 400 W	
15	1000 6033	Tinplate	
16	1000 6034	Tinplate	
17	1561 0649	Cable relief with fuse holder	



This page is intentionally not used.